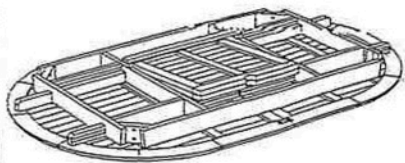


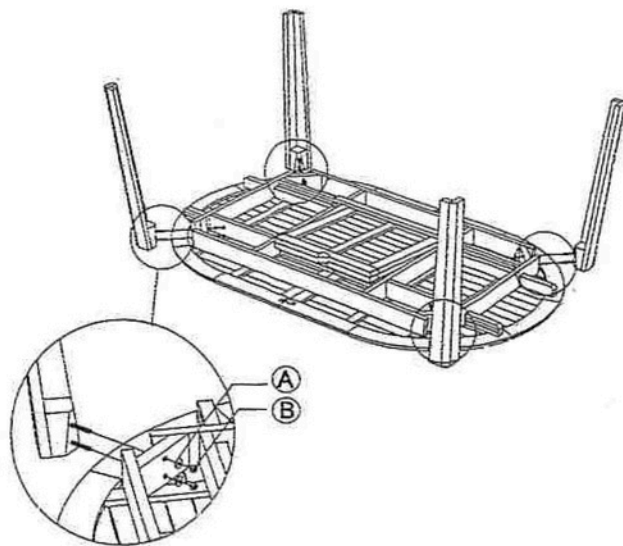


[01] x 4

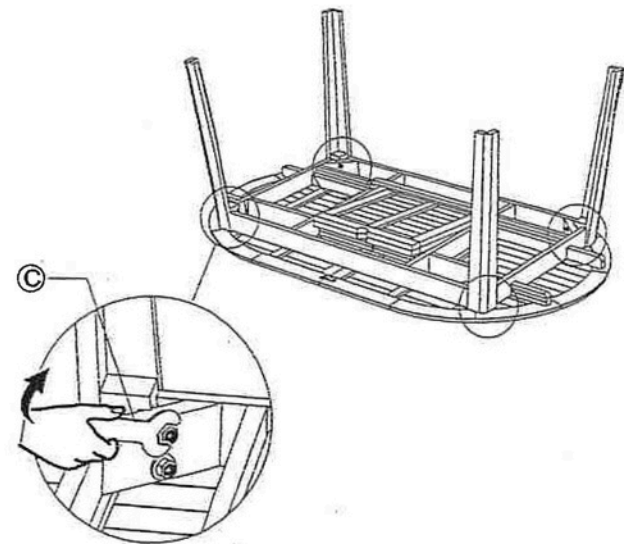


[02] x 1

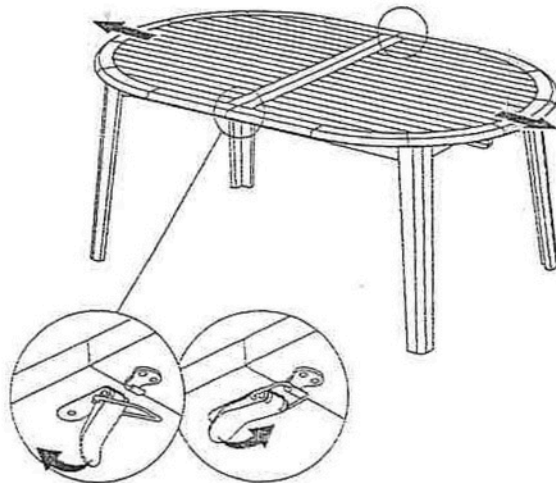
[1]



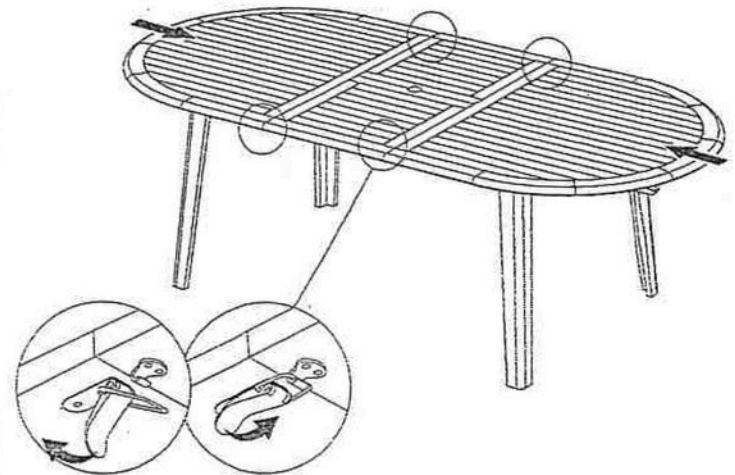
[2]



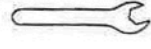


[3]



[4]



(A)	 (Φ8.5)mm	x 8
(B)	 (Φ8 x 13)mm	x 8
(C)	 (M13)mm	x 1